

Miele

Pre-Finished Dishwasher

CLASSIC	G 4228 SCU
CLASSIC PLUS	G 4948 U, G 4948 SCU
CRYSTAL	G 6625 U, G 6625 SCU
DIMENSION	G 6745 SCU



Shown: G 6745 SCU White
Please note: This information is subject to change

mieleusa.com
Specification Sheets TRS 06162018

Prefinished Dishwasher

SPECIFICATIONS	
Overall Unit Dimensions	23 ⁹ / ₁₆ " (598mm) W x 33 ¹¹ / ₁₆ " - 36 ¹ / ₄ " (855 - 920mm) H x 22 ⁷ / ₁₆ " (570mm) D
Niche	
Minimum Cabinet Opening Dimensions	23 ⁵ / ₈ " (600mm) W x 33 ³ / ₄ " (857mm) H X 22 ⁷ / ₁₆ " (570mm) D
Plumbing	
Water Supply Requirements	May be connected to a cold or hot water supply up to a maximum of 140°F/60°C. Must be connected to a shut-off valve with a male 3/8" compression. The water shut-off valve must be accessible after installation. The water pressure must be between 7.25 psi (0.5 bar) and 145 psi (10 bar). If the pressure is higher than 145 psi (10 bar), a pressure reducing valve must be installed.
Water Connection Line	4' 11" (1.5 m) flexible water intake hose is supplied with a 3/8" compression connection.
Drain Hose	4' 11" (1.5 m) flexible drain hose with a 7/8" (22 mm) internal diameter is supplied. The drain hose length must not be longer than 13' 1 1/2" (4 m) and the delivery head must not exceed 3' 3 3/8" (1 m).
Electrical	
Electrical Requirements	110V / 120V, 60Hz, 15 Amps
Power Cord	NEMA 5-15 plug, 3' 11" (1.2 m) (Measured from back of unit, convertible to hardwire)
Shipping	
Shipping Weight	121 lbs (55 kg)
Shipping Dimensions	27 ¹ / ₈ " W x 38 ¹ / ₈ " H x 26 ³ / ₈ " D
Support	
Call Miele	(800) 999-1360
Miele Website	www.mieleusa.com
20/20 Link	2020technologies.com

Pre-Finished

Classic



G 4228 SCU
Item 21422837USA

Classic Plus



G 4948 U
Item 21494827USA
G 4948 U Black
Item 21494824USA
G 4948 U White
Item 21494826USA
G 4948 SCU
Item 21494837USA
G 4948 SCU Black
Item 21494834USA
G 4948 SCU White
Item 21494836USA

Crystal



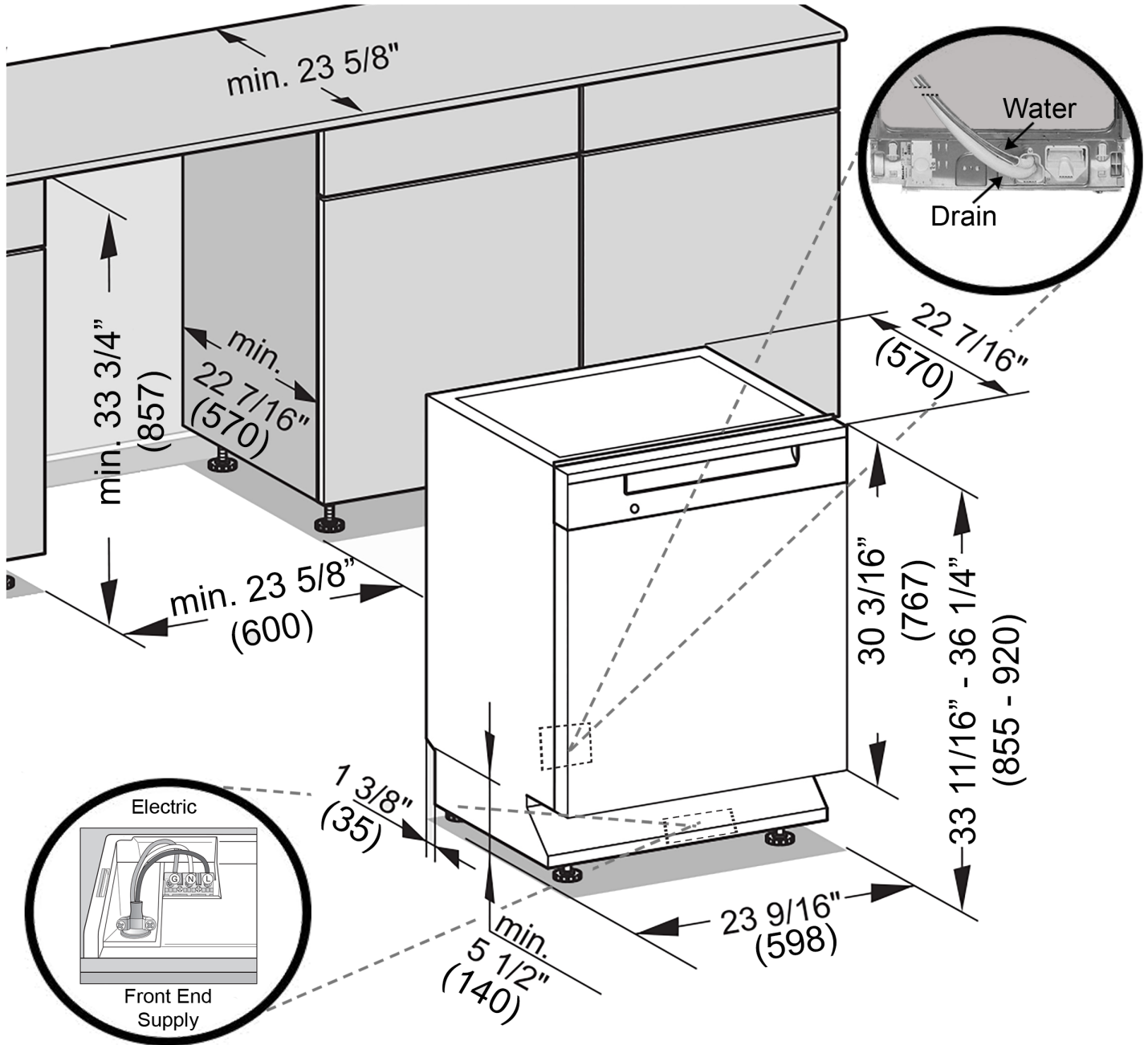
G 6625 U
Item 21662527USA
G 6625 SCU
Item 21662537USA

Dimension



G 6745 SCU
Item 21674537USA
G 6745 SCU Black
Item 21674534USA
G 6745 SCU White
Item 21674536USA

INSTALLATION SPECIFICATIONS



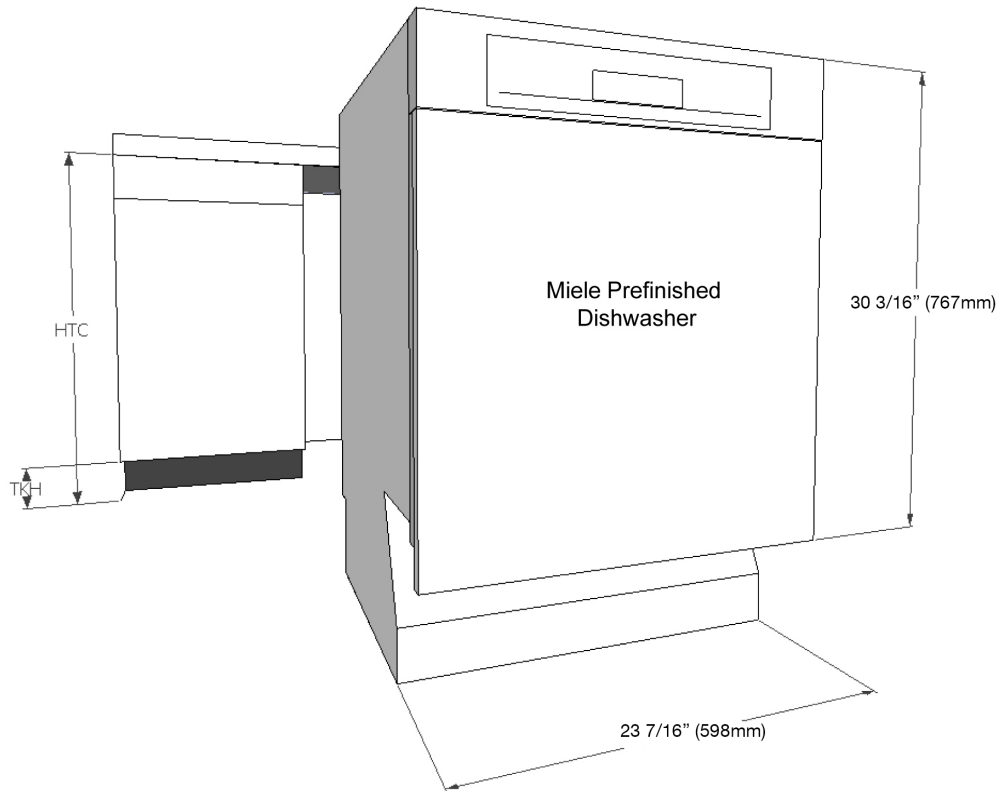
Drain - 4 ft 11 in (1.5 m) flexible drain hose.
(Connects from lower center rear)

Water - 4 ft 11 in (1.5 m) flexible water intake hose with 3/8" compression fitting.
(Connects from lower center rear)

Electric - 4 ft 11 in (1.5 m) 120V 15 A 3 wire molded NEMA 5-15 plug power supply. (Connects via Front End Supply or may be hardwired)

Prefinished Dishwasher

PANEL SPECIFICATION



Panel and Control Prefinished

Width: $23 \frac{7}{16}$ " (595 mm)

Thickness: $\frac{3}{4}$ " (19 mm)

Height: $30 \frac{3}{16}$ " (767 mm)

Calculating the toe kick height:

$$30 \frac{3}{16}" - \text{HTC} = \text{TKH}$$

HTC = Height to underside of countertop


TKH = Toe kick height


Prefinished Dishwasher

POSSIBLE TOEKICK HEIGHT + CABINET HEIGHT COMBINATION

Height to underside of countertop

	33 3/4	34	34 1/4	34 1/2	34 3/4	35	35 1/4	35 1/2	35 3/4	36
2 1/2	Acceptable combinations	Acceptable combinations	Acceptable combinations	Acceptable combinations	Acceptable combinations					
3	Acceptable combinations	Acceptable combinations	Acceptable combinations	Acceptable combinations	Acceptable combinations	Acceptable combinations	Acceptable combinations	Acceptable combinations		
3 1/2	Acceptable combinations	Acceptable combinations	Acceptable combinations	Acceptable combinations	Acceptable combinations	Acceptable combinations	Acceptable combinations	Acceptable combinations	Acceptable combinations	Acceptable combinations
4	Acceptable combinations	Acceptable combinations	Acceptable combinations	Typical American installation	Acceptable combinations	Acceptable combinations	Acceptable combinations	Acceptable combinations	Acceptable combinations	Acceptable combinations
4 1/2	Acceptable combinations	Acceptable combinations	Acceptable combinations	Acceptable combinations	Acceptable combinations	Acceptable combinations	Acceptable combinations	Acceptable combinations	Acceptable combinations	Acceptable combinations
5	Acceptable combinations	Acceptable combinations	Acceptable combinations	Acceptable combinations	Acceptable combinations	Acceptable combinations	Acceptable combinations	Acceptable combinations	Acceptable combinations	Acceptable combinations
5 1/2	Acceptable combinations	Acceptable combinations	Acceptable combinations	Acceptable combinations	Acceptable combinations	Acceptable combinations	Acceptable combinations	Acceptable combinations	Acceptable combinations	Acceptable combinations
6	Acceptable combinations	Acceptable combinations	Acceptable combinations	Acceptable combinations	Acceptable combinations	Acceptable combinations	Acceptable combinations	Acceptable combinations	Acceptable combinations	Acceptable combinations
6 1/2	Acceptable combinations	Acceptable combinations	Acceptable combinations	Acceptable combinations	Acceptable combinations	Acceptable combinations	Acceptable combinations	Acceptable combinations	Acceptable combinations	Acceptable combinations
7			Acceptable combinations	Acceptable combinations	Acceptable combinations	Acceptable combinations	Acceptable combinations	Acceptable combinations	Acceptable combinations	Acceptable combinations
7 1/2						Acceptable combinations	Acceptable combinations	Acceptable combinations	Acceptable combinations	Acceptable combinations
8									Acceptable combinations	Acceptable combinations
8 1/2										

 Acceptable combinations

 Typical American installation